

JKA-1140-1-A

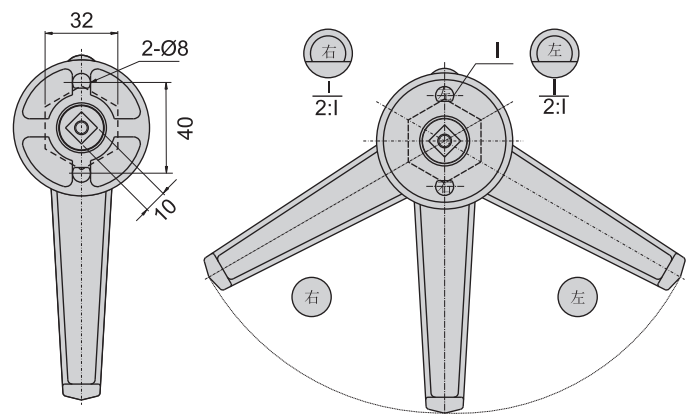
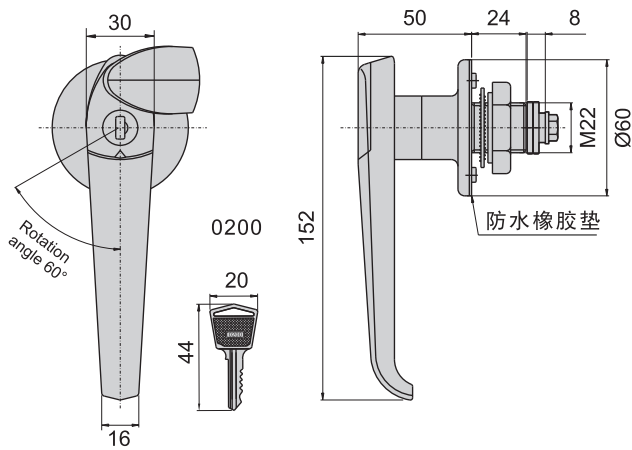
JKA-140-2-A(S)

JKA-1140-3-A(S)

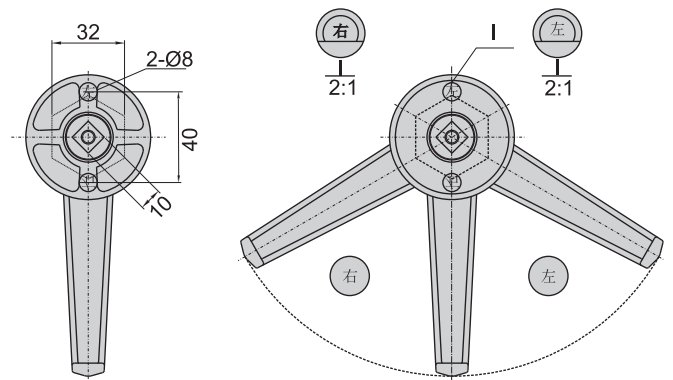
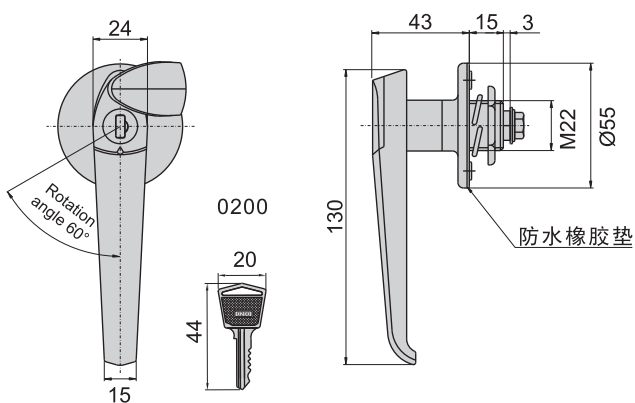
JKA-140-4-A(S)



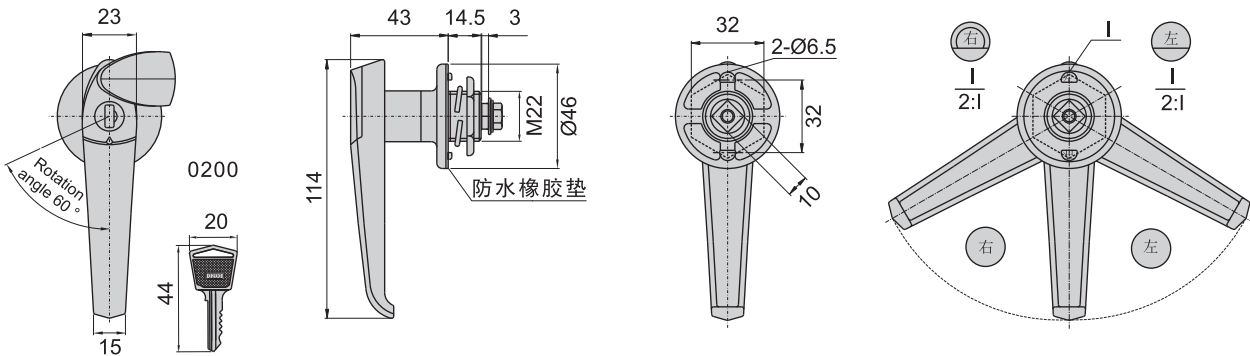
JKA-1140-1-A  
JKA-140-1-A



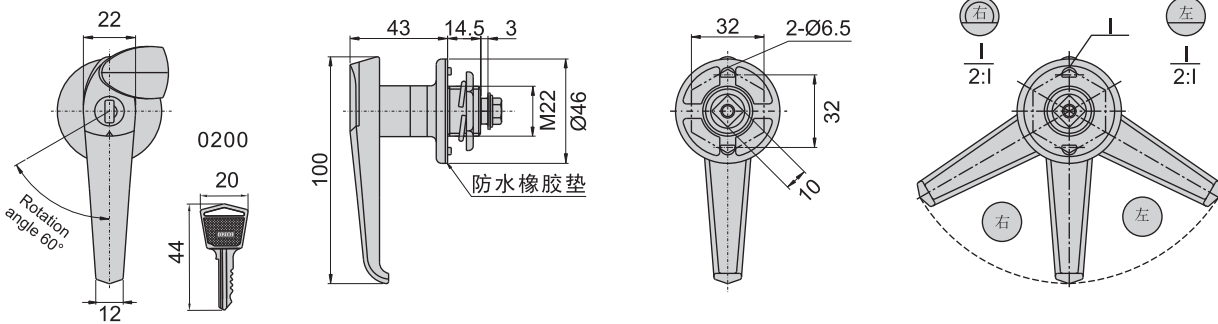
JKA-1140-2-A  
JKA-140-2-A



JKA-1140-3-A  
JKA-140-3-A



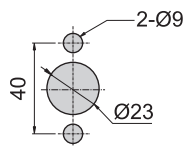
JKA-1140-4-A  
JKA-140-4-A



JKA-1140-1-A / JKA-140-1-A

JKA-1140-2-A / JKA-140-2-A

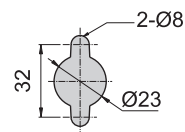
通用开孔尺寸图



JKA-1140-3-A / JKA-140-3-A

JKA-1140-4-A / JKA-140-4-A

通用开孔尺寸图



材 质	JKA-1140 不锈钢 (SUS 316)
	JKA-140 锌合金(ZDC)
表面处理	JKA-1140 镜面研磨
	JKA-140 (S) 镀铬-光面
特 征	防水型
适用门扇	JKA-1140-1---2000×1000, JKA-140-1---1800×700
	JKA-1140-2---1800×700, JKA-140-2---1000×500
	JKA-1140-3---1000×500, JKA-140-3---800×400
	JKA-1140-4---800×500, JKA-140-4---600×400